

## ASBL - LOW FREQUENCY SOUNDER BASE



### STANDARD FEATURES

- UL269 and UL464 Listed
- Programmable evacuation codes - Continuous, Temporal Code 3 (Temporal Code 4 with CO detection)
- 520Hz Low frequency alarm signal meets NFPA requirements for sleeping areas
- Separate addresses range (128 - 254) for easy Cause and Effect programming
- Programmable activation by General Alarm, by zone and/or by individual address
- Up to 127 Sensors and 127 ASBL's can be on one SLC loop
- High sound pressure level (85dB SPL at 10 ft.)

### SPECIFICATIONS

Operating Voltage	17 - 41 VDC
SLC Current Consumption	154µA (Standby and Alarm)
Auxiliary Power	16 - 31 VDC
Auxiliary Current Consumption	2.8mA (Standby)
Auxiliary Current Consumption	72mA @ 33VDC (Alarm) 95mA @ 24VDC 140mA @ 16VDC
Sound Pressure Level	85dB
Max. Quantity per Loop	127
UL Ambient Installation Temperature Range	32°F (0°C) - 100°F (38°C)
Operating Temperature Range	32°F (0°C) - 122°F (50°C)
Relative Humidity	93% RH Non-Condensing
Base Diameter	6.6"
Base Height	3.1"
Compatible Sensors	ALG-V, ALK-V, ALN-V, AIE-EA, ATG-EA, ATJ-EA, ACA-V, ACC-V, ACD-V

### DESCRIPTION

The Hochiki ASBL Low Frequency Sounder Base is designed for use with the Hochiki Addressable Sensors. Each base is to be connected to the Hochiki State-of-the-Art Digital Communications Protocol (DCP) Signaling Line Circuit (SLC). The ASBL provides an audible alarm in the immediate vicinity. Ideal applications are Hotels, Apartments, and Hospitals.

The ASBL meets NFPA 72 requirements for Low Frequency alarms in sleeping areas. Studies have shown that a low frequency alarm signal is the most effective at waking people with mild to moderate hearing loss. The ASBL is designed for installation in sleeping areas, such as bedrooms, dorm rooms, hotel rooms, patient rooms, etc. Operation and supervision of the ASBL is fully managed by the compatible Fire Alarm Control Panel (FACP).

The ASBL has a highly configurable programming algorithm that allows the user to set up groups of bases for synchronization of modulation tones. Each device has 16 states that are programmed with the desired sound pattern to be used for each state.

### PRODUCT LISTINGS

SIGNALING



California State  
Fire Marshal  
7300-0410:0210

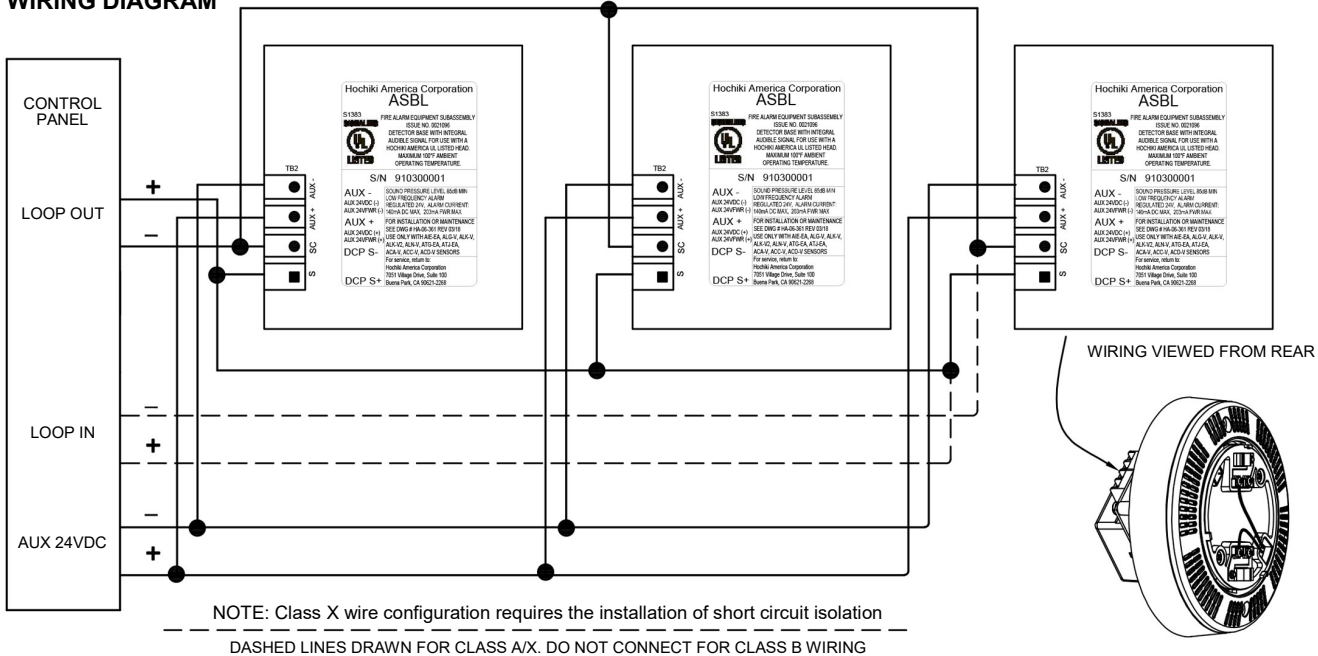
Specifications subject to change without notice.

Continued on back.

# ASBL - LOW FREQUENCY SOUNDER BASE

## WIRING DIAGRAM

ASBL SLC WIRING, ONLY BOARD AND LABEL SHOWN



## MOUNTING

### ASBL Mounting Instructions

The ASBL sounder base mounts to a 4" extension ring (not supplied) with two 8-32, 2" mounting screws (supplied). The extension ring mounts to the 4" back box with two mounting screws (both 4" box and screws not included).

