

## EVAX - 50 Voice Evacuation System



### DESCRIPTION

The EVAX 50 operates with any Fire Alarm Control Panel (FACP), and provides 50 Watts of speaker power.

The EVAX 50 includes all necessary features to provide an effective voice evacuation system. With the addition of zone splitters, remote microphone panels, and expander modules, the EVAX 50 can be custom configured to satisfy the needs of most applications.

The EVAX 50 has its own power supply and battery charger. Panel must be wired with 120 VAC and standby batteries connected.

A digital message repeater (DMR) is built into the EVAX 50. The selection of alarm tone and automatic message repeats, as well as the 6 Hour delay of the AC power failure reporting feature are all field configurable.

The paging microphone is an integral component. Removal of the microphone from the panel will cause a "Trouble" condition which will be reported locally, as well as through the FACP.

The EVAX 50 is housed in an attractive surface or semi-flush mounted backbox, with a hinged and key locked door.

### STANDARD FEATURES

- Clean dead-front construction
- Digitally recorded automatic voice evacuation (up to 4 minutes of message capacity)
- 50 Watt high efficiency digital amplifier
- 25 or 70 VRMS field selectable
- 120 VAC power supply and battery charger
- Live microphone override of message and tone
- Analog addressable compatible
- High reliability, no maintenance, fully supervised
- Easy installation and operation
- Natural voice sound recordings
- Built-in alarm and alert signals
- Up to 4 minute message capacity
- Works with 12VDC or 24VDC fire alarm panels
- Works with analog/addressable and microprocessor based fire alarm panels
- 3 minute message restart on microphone key
- 24 hour backup with two 12V 7 AHr batteries
- Made in the USA

### SPECIFICATIONS

Primary Power	120VAC @ 0.6A
24 VDC Battery Power;	
Standby	0.130A
Alarm	1.0A
Output	50 Watts @ 25/70 VRMS tone and voice
Backbox Dimensions	14.5"W x 18"H x 4"D
Color	Red/Charcoal Grey

### PRODUCT LISTINGS

SIGNALING



California  
State Fire  
Marshal  
6911-0410:176

*Continued on back.*

*Specifications subject to change without notice*

### Hochiki America Corporation

7051 Village Drive, Suite 100 Buena Park, CA 90621-2268  
Phone: 714/522-2246 Fax: 714/522-2268  
Technical Support: 800/845-6692 or technicalsupport@hochiki.com



Find latest revision at [www.hochiki.com](http://www.hochiki.com)



F0089 12/2012

## ENGINEERING SPECIFICATIONS

The voice evacuation system shall be EVAX Systems Series EVAX 50 or approved equal.

The voice evacuation system shall provide 50 watts signal power and 50 watts voice power, and shall be UL listed.

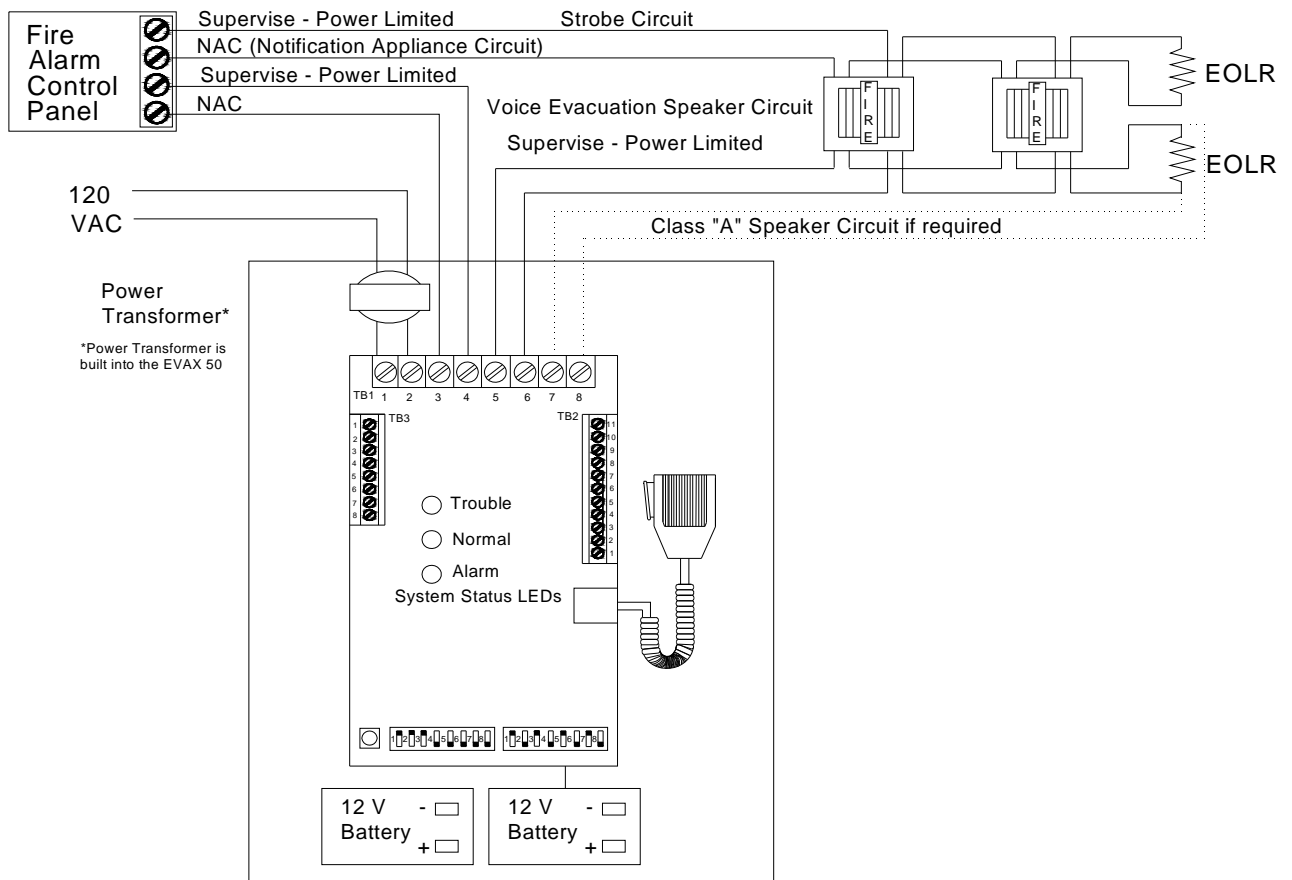
The voice evacuation system shall be micro-processor based, and shall contain an integral microphone, 50 Watt audio amplifier, tone generator, digital message repeater, 120VAC power supply and battery charger.

The voice evacuation message/signal shall be broadcast until the Fire Alarm Control Panel (FACP) is reset, or until fire emergency personnel interrupt the broadcast with a manual page. On reset system shall automatically return to standby (normal operating) condition.

A secondary message shall be provided which can be triggered by the closure of a contact from either the FACP or from any normally open contact device.

Remote paging microphone (s) will be supported by the system through a supervised circuit. Remote microphone (s) can be mounted up to 5000 feet away from the voice evacuation panel.

## WIRING DIAGRAMS



## ORDERING INFORMATION

Model Number	Description
EVAX 50	50W Voice Evacuation System, with power supply/battery charger, paging microphone and digital message repeater
EVAX 50/4Z	50W Voice Evacuation System, with 4 speaker zones
EVAX 50/8Z	50W Voice Evacuation System, with 8 speaker zones