

INSTALLATION INSTRUCTIONS

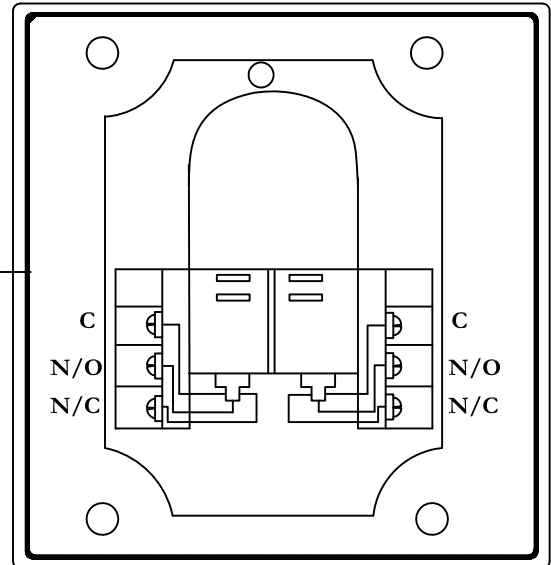
Explosion Proof, Weather Proof - Manual Pull Stations HPS-SA-EX/WP

This product is a high quality initiating device suitable for use in the hazardous areas including outdoor applications. It is important to read all information pertaining to this device and its application.

Electrical Rating:

Contacts: D.P.D.T.
 Contact Rating: 10 amps @ 120 VAC
 Wire awg: 12 to 22 AWG.
 Wiring Hookup: Terminal block (6-32 w/sem plate)

Terminal Block Layout

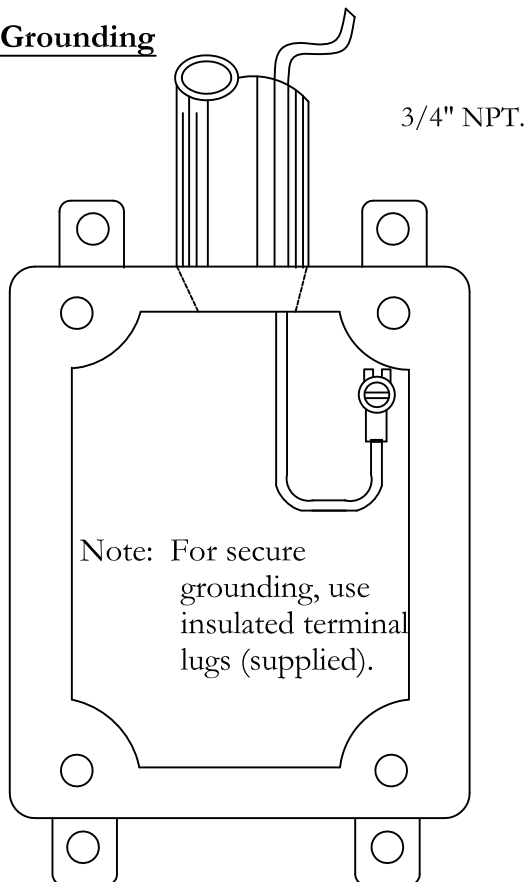


UL Rating:

Class	Group
I	B,C,D
II	E,F,G
III	
Type 4X (out door)	

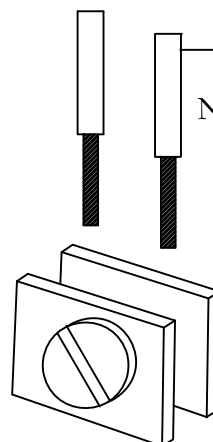
Cover O-Ring

Grounding

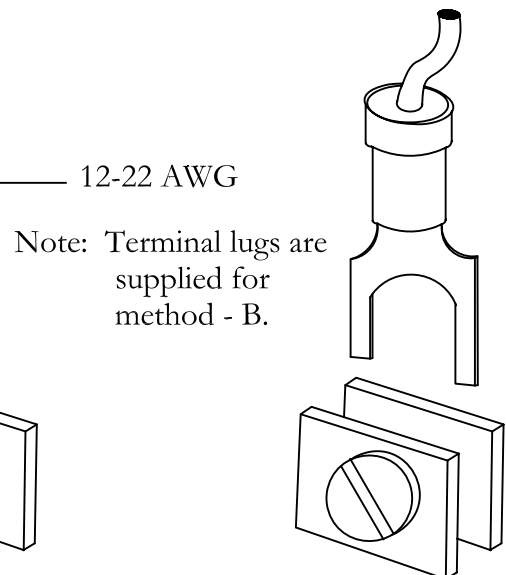


Wiring Hookup:

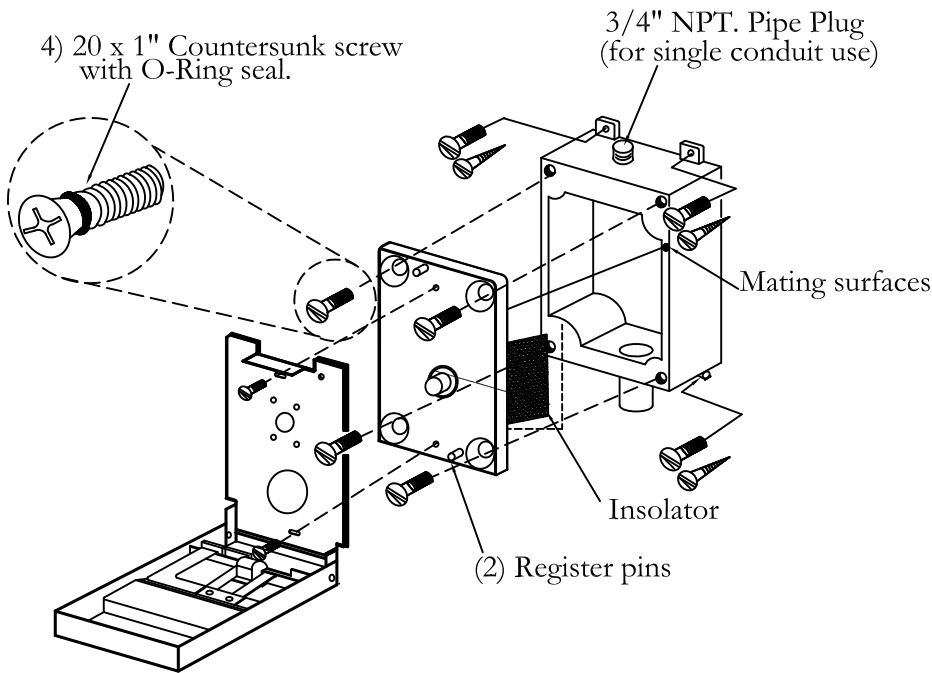
Method - A



Method - B



BASIC ASSEMBLY



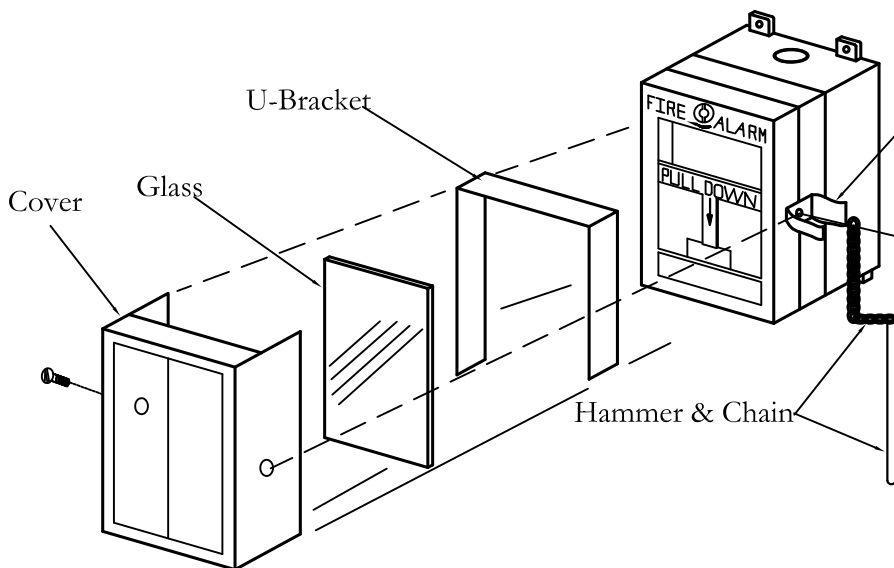
BEFORE CLOSING ASSEMBLY

1. Make sure that mating surfaces are clean and free of debris.
2. Inspect to assure all O-Ring seals are in their place. If not-carefully reinstall making sure of proper fit.
3. Squeeze insulators inward and slip cover assembly over back box making sure insulators are inside back box.
4. Before tightening assembly - check to make sure of proper seating.

Note: Do not substitute O-Rings or cover screws with other hardware, as this may degrade or produce failure of device. (Replacement seals and extra hardware supplied with product).

INSTALLING OPTION - DAH

(Break glass adaptor - Dual action)



INSTALLING OPTION - LP

(Lift & Pull Dual Action)

