



## INSTALLATION INSTRUCTIONS FOR FFO-2MM DUAL INPUT MONITOR MODULE

The information contained in this installation instruction is a quick reference guide. For detailed system information refer to the panel manufacturer's installation manual. This instruction will not address specific programming procedures.

### GENERAL DESCRIPTION

This instruction applies to the FFO-2MM Dual Input Monitor Module which is to be connected to a DCP Signaling Line Circuit (SLC). Typical applications are manual pull stations, water flow devices or any dry contact alarm device, N/O contacts can be monitored.

### MOUNTING REQUIREMENTS

The DCP Dual Input Monitor module is mounted as shown in Figure 2 on page 2 of this instruction.

### WIRING

NOTE: All wiring must conform to local codes, ordinances and regulations.

- 1) Install module wiring in accordance with the job drawings and appropriate wiring diagram (see Fig.3).
- 2) Secure the module to a U.L. listed electrical box (supplied by installer), as shown in Figure 2.
- 3) Address must be set before cover plate is attached (see Figure 1).

#### NOTE:

Radio Frequency Interference and Electro-Magnetic Interference are sources of noise that can adversely affect the fire alarm systems installation. When installing fire alarm system devices, avoid placing devices or wiring close to potential noise sources such as:

- Transmitters or antennas;
- Ballast lighting;
- Electrical motors;
- Large power transformers;
- Large machines.

Avoid running SLC circuit in the same conduit as power lines. Utilize twisted pair and shielded wire in environments where excessive noise is expected.

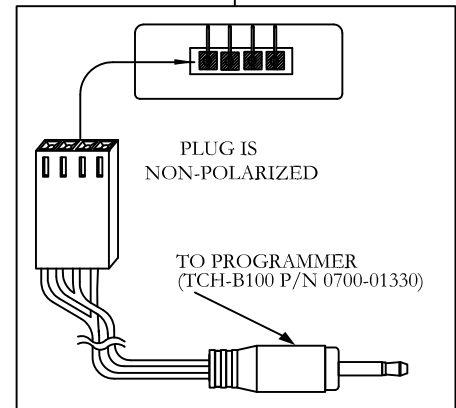
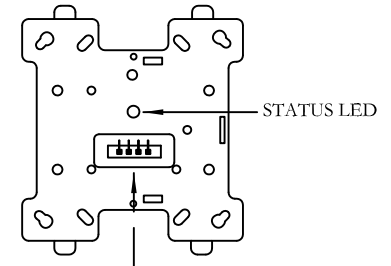


FIGURE 1.  
EXPLODED VIEW OF ADDRESS PROGRAMMING PLUG AND CONNECTOR

**CAUTION!**  
Install the modules in this instruction in accordance with applicable NFPA standards, local codes, and the authorities having jurisdiction. Failure to follow these instructions may result in failure of the system to operate as intended. Hochiki America is not responsible for modules that have been improperly installed, tested, or maintained.

**CAUTION!**  
To ensure proper operation connect this module to a compatible Fire Control Panel only. Refer to panel instructions for proper connection and compatibility.

**CAUTION!**  
If this module will be installed in an existing operational system, inform the operator and local authority that the system will be temporarily out of service. Disconnect power to the control panel before installing the module.

NOTE: An average of 6.75mA (communication current) per loop of SLC devices, must be factored into the panel battery backup calculations.

SPECIFICATIONS	
SLC Applied Voltage	Rated Range 25.3 – 39 VDC
SLC Current Consumption	Maximum 720µA      Nominal 600µA
IDC Circuit Rating	3.2VDC 100µA
EOL Device for Input	HOCHIKI AMERICA CORP. EOL Part NO. 0400-01000 22KΩ, 1/4W, 1/4inch
Visual Indicator (Status LED)	bi-color LED – Green & Red Color & Mode – Selected and Programmed by Control Panel's software
Operating Temperature Range	0°C (32°F) ~ 49°C (120°F)
Storage Temperature Range	-30°C (-22°F) ~ 70°C (158°F)
Maximum Relative Humidity	Up to 90% RH non-condensing
Environment	Indoor dry use only
Dimensions	4.2" W X 4.7" H X .85" D
Weight	Approximately 3.0 ounces

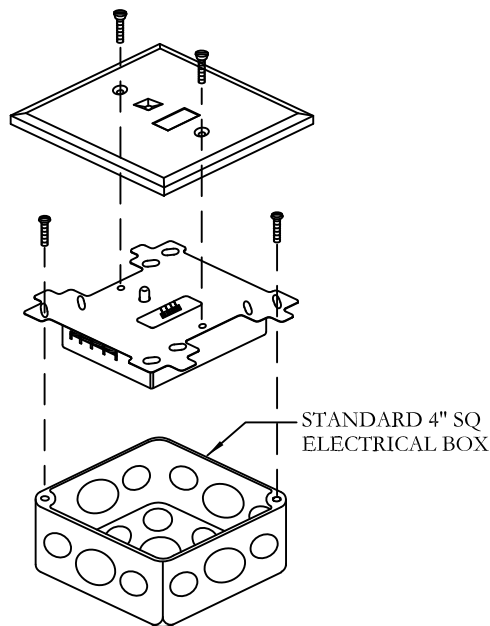


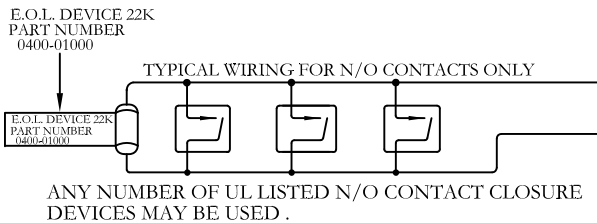
FIGURE 2  
TYPICAL MOUNTING ARRANGEMENT

INITIATING DEVICE CIRCUIT (IDC) ARE POWER LIMITED DRY CONTACT CONNECTION ONLY

TABLE 1: WIRING LIMITATIONS

Maximum line impedance between input and initiating devices.
3.50Ω

Note: SILC circuit is in reference to S, and SC



**NOTE:** Only the same size wire from 12 to 22 AWG may be connected terminal block TB1 when more than one conductor is being connected under each terminal. Maximum of 2 conductor per terminal.

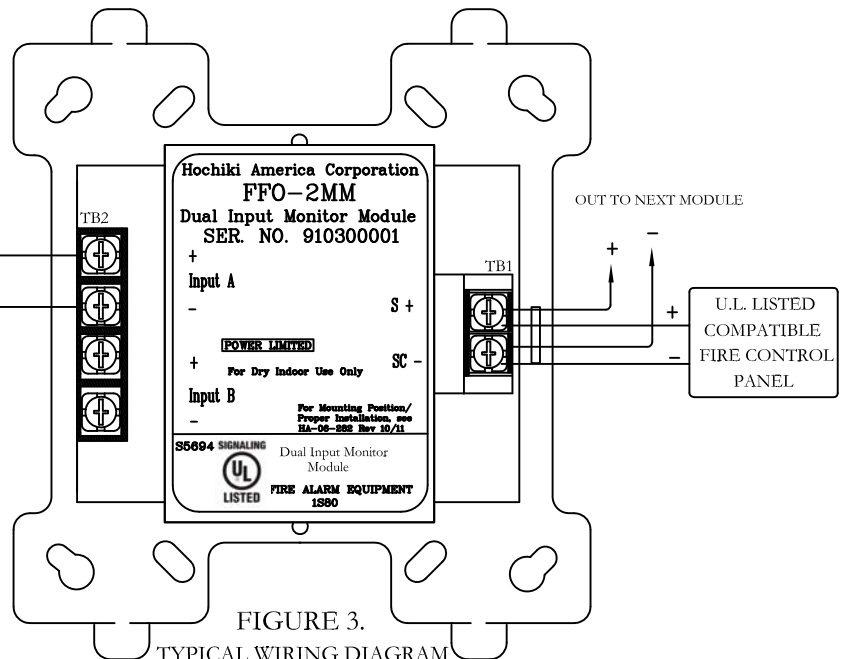


FIGURE 3.  
TYPICAL WIRING DIAGRAM

TB1 SHOWN IS SUPERVISED AND INHERENTLY POWER LIMITED.

## One Year Limited Warranty

Hochiki America (HA) warrants its digital communication modules to be in conformance with its own plans and specifications and to be free from defects in materials and workmanship under normal use and service for a period of one (1) year from date of delivery. All warranties are void and HA is not obligated to repair or replace equipment which has been repaired by others, abused, improperly installed, altered or otherwise misused or damaged or exposed to conditions outside the products specifications in any way. HA will not be responsible for any dismantling, reassembling or re-installation charges. Please contact HA's Sales department for proper procedure for claims and return of merchandise. This warranty is in lieu of all other warranties expressed or implied.